

metraTec® DwarfG2 UHF SMD Module

RFID technology offers manufacturers of machines, terminals and many other devices a variety of useful and innovative application scenarios: Checking consumables, saving user configurations on objects, more transparency in your supply chain....

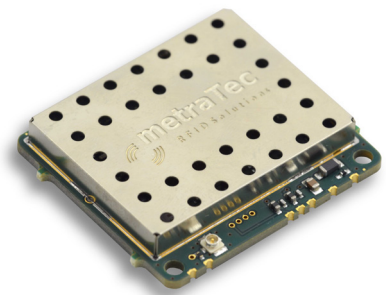
Independent of the field you are working in or what your product idea is - with metraTec's DwarfG2 SMD module you can equip your products, e.g. printers, handhelds or other devices with UHF RFID functionality and scan RFID transponders according to the EPC Class 1 Gen 2 Protocol. Everything without development problems and without a big budget.

The module sets a new standard for quick reading and writing of data (write a 96 bit EPC in approx. 100 ms). And despite its small size, it has a performance comparable to other RFID modules. With the metraTec Echo-3 Dipole antenna you can get a read range of up to 500 mm (approx. 20").

By using the finished SMD solderable module you save valuable development time, achieve an unmatched time to market and have the ease of mind of an intensely tested and validated hard- and firmware. Should your project require adaptations in size or functionality metraTec is capable of supplying both if needed.

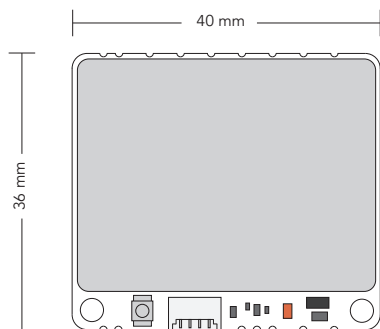
Further Hardware

- Different types of UHF antennas with U.FL connector
- Individual antenna design according to your specifications
- U.FL cables in different lengths
- Module variations according to your specifications

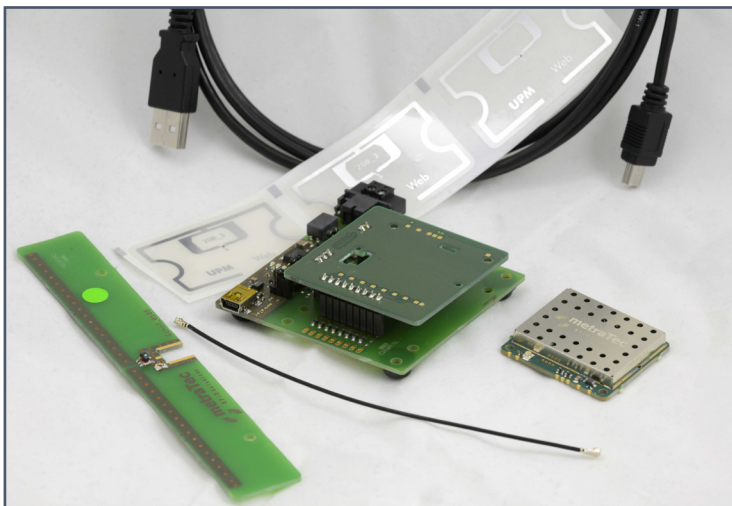


Technical Specification

Operating Principle	Short Range UHF RFID SMD Module
Operating Frequency	868 MHz (UHF RFID, ETSI)
Antenna	external 50 Ohm antenna
Antenna Connector	U.FL / Vias
RF Power	up to 50 mW (configurable)
Read Range	up to 500 mm (with right antenna and tag)
Supported RFID Protocols	EPC Class 1 Gen 2
Operating Voltage	5 V DC
Current Consumption	max: 200 mA
Digital Inputs/Outputs	8 x 5 V Input/Output (configurable)
Communication	5 V UART (115,200 Baud)
Operating Temperature	-20 °C to +70 °C
Dimensions	40 x 36 mm



And for the quick development process:
The DwarfG2 RFID Starter Kit



At a Glance

- Quick and easy integration
- SMD module with minimum footprint
- External antenna connector
- Fast Read/Write Capability

About metraTec

metraTec develops, manufactures and sells electronics for the product segments „Identification“, „Localization“, „Communication“ and „Wireless Power“. It serves a variety of industries, both with standard products as well as custom solutions. Our customers are system integrators, OEM customers as well as research institutes world wide.

Contact

metraTec GmbH
Niels-Bohr-Str. 5
39106 Magdeburg
Germany

Tel.: +49 (0)391 251906-00
Fax: +49 (0)391 251906-01
Email: sales@metratec.com
Web: www.metratec.com